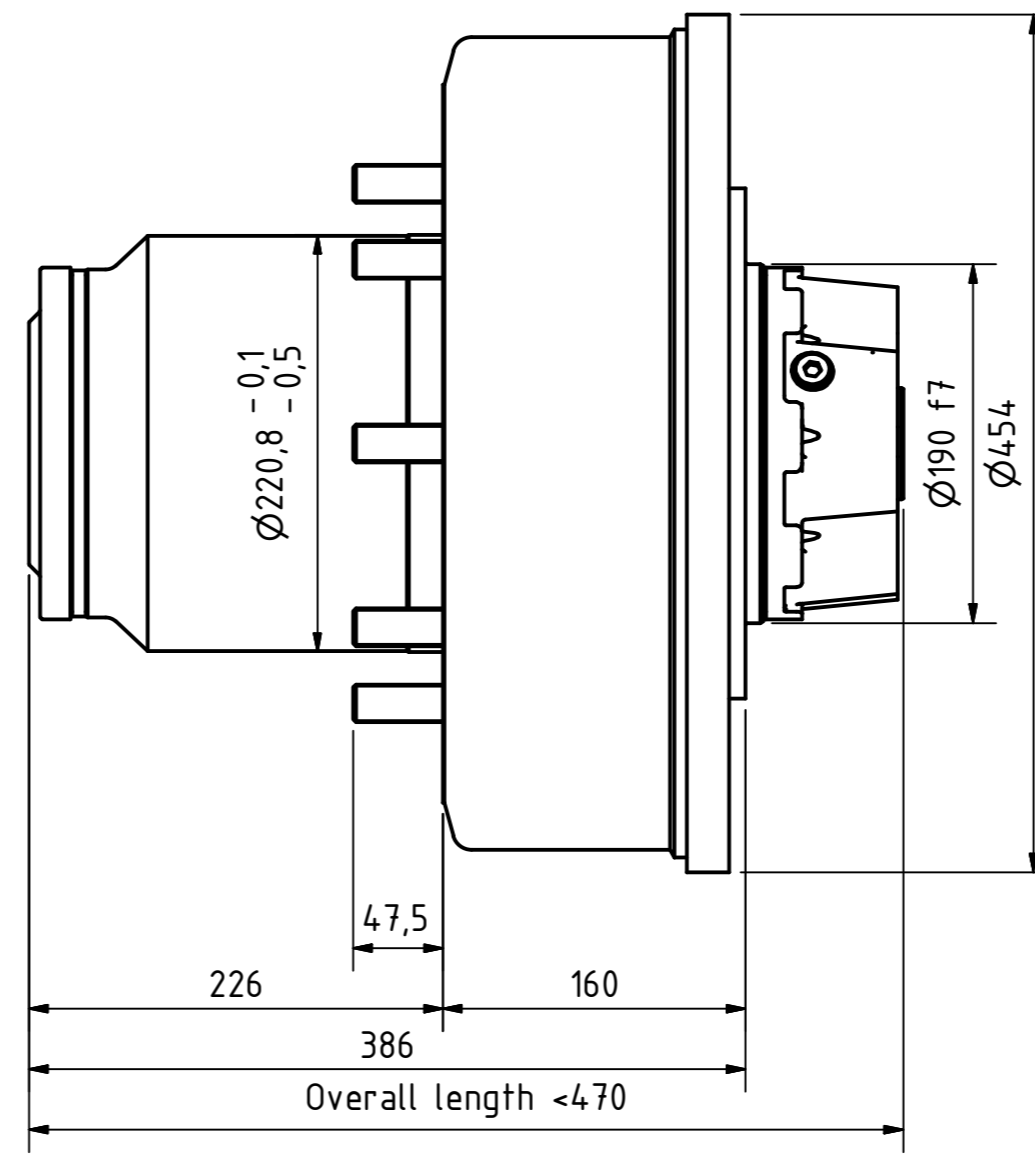
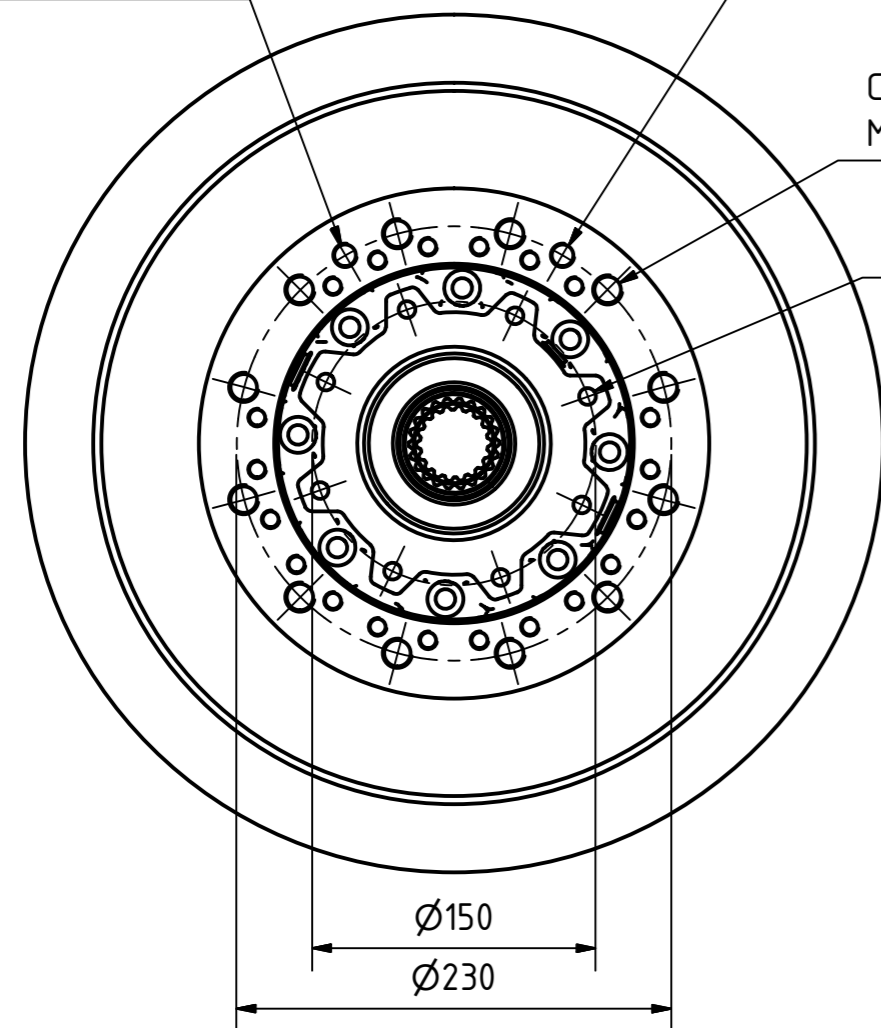


Connector for Hydraulic Engagement
G1/4"

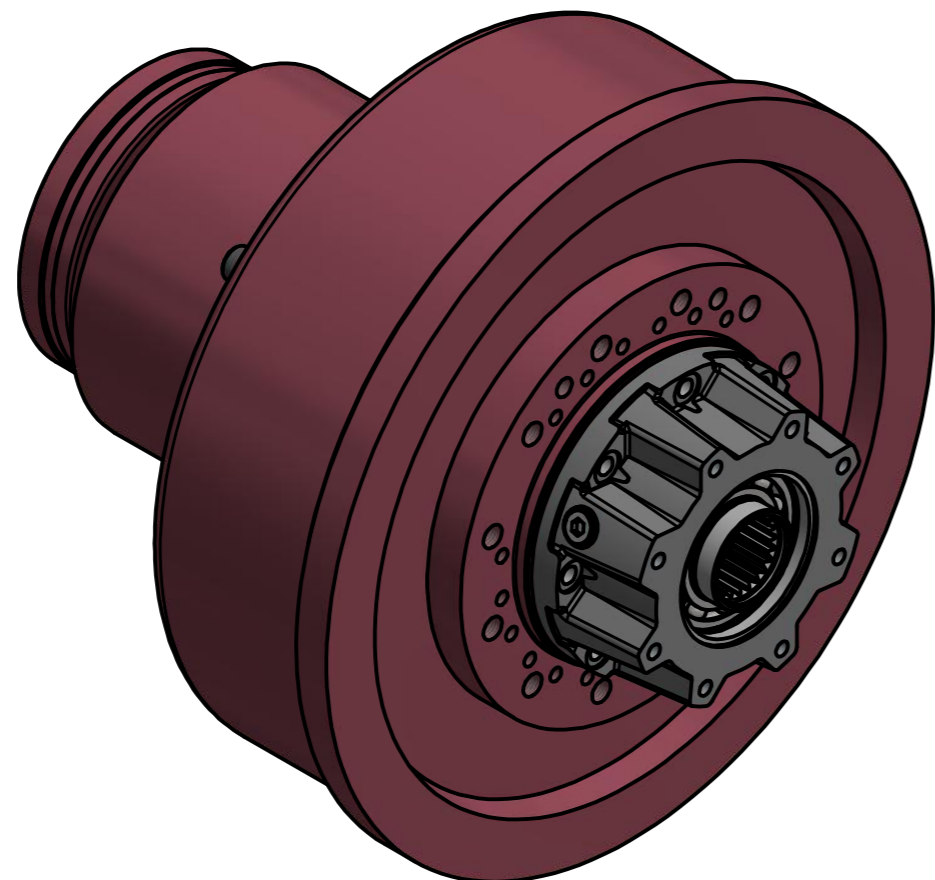
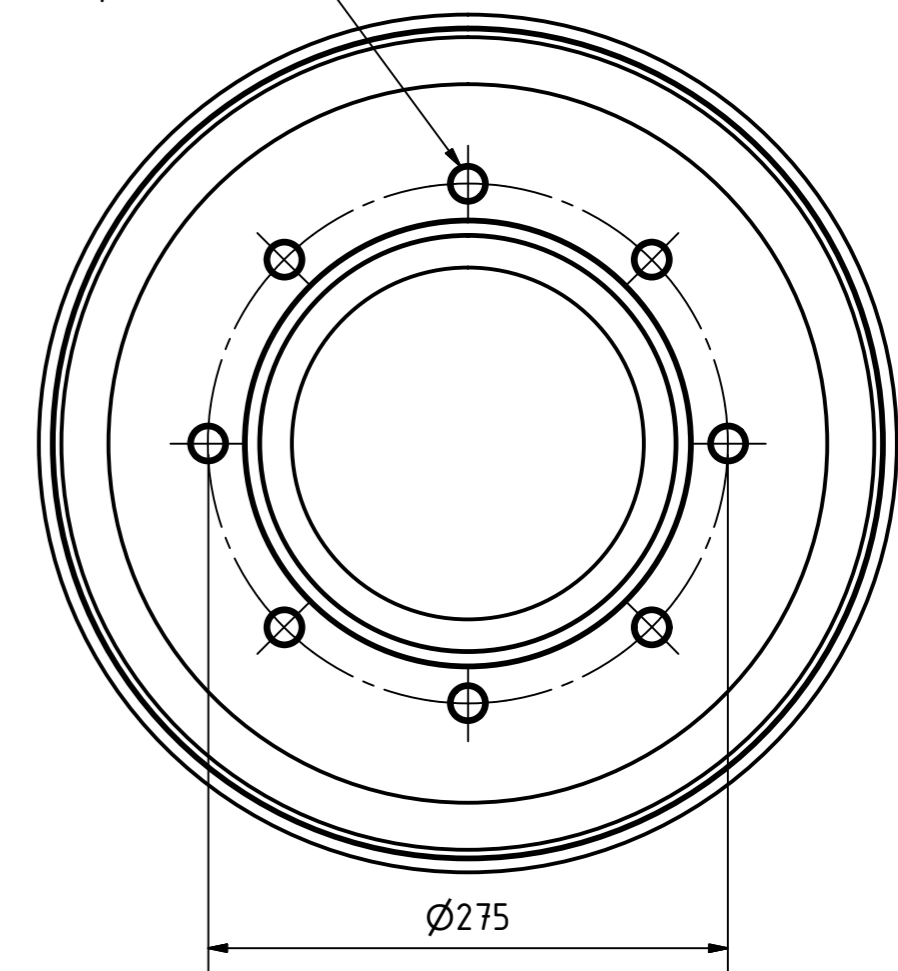
Connector for Hydraulic Disengagement
G1/4"

Connection to chassis/axle
M16 (12x)

Connection for Motor Flange
M40 (8x45°)



Wheel Studs
M20x1,5 (12x30°)



	Scale: 1 : 4	Part No.:
	Format: A2	
Drawn by: SDP	Date: 8/07/2016	
Checked by:		



WD613 B400x102